

# Navigator MPD

## Dilution Control System



### OVERVIEW

---

SSS Navigator MPD dilution control dispenser is a multiple product and dilution dispenser designed for use with SSS Navigator dilution control system refills and closed loop inserts. With its innovative patent pending QuickDock it's built for easy, fast and safe change over from one product to another. SSS Navigator MPD features a one hand fill for spray bottles, adjustable drip tray shelf remote fill gun for bucket fill applications. Navigator MPD

### WARNINGS

---

This product is designed only to be used as described in this instruction sheet. Adhere to all warnings and cautions identified in this document.



**WARNING:** Installations must conform to all local and national plumbing codes and use approved backflow prevention and pressure relief devices where required.

**ALWAYS DISCONNECT DISPENSER FROM WATER SOURCE WHEN DISPENSER IS NOT IN USE.**



Always read MSDS for all chemicals used and follow personal protective guidelines.

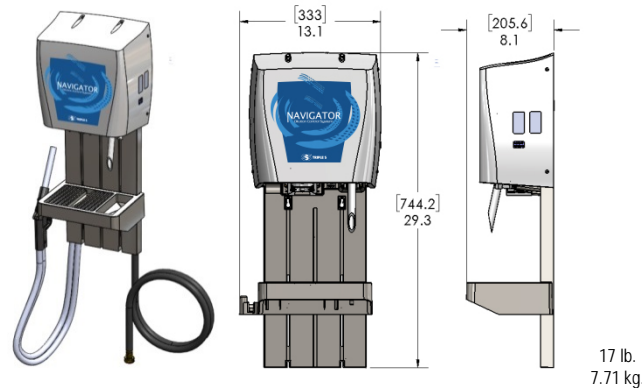
### OPERATING SPECIFICATIONS

---

|                          | Water Supply Requirements |                    |
|--------------------------|---------------------------|--------------------|
|                          | Minimum                   | Maximum            |
| <b>Water Pressure</b>    | 30 psi (2.07 bar)         | 90 psi (6.2 bar)** |
| <b>Water Temperature</b> | -                         | 150°F (66 °C)      |

\*\* Recommended water pressure for accurate dilutions is between 30 psi (2.07 bar) and 70 psi (4.83 bar). If pressure exceeds 70 psi, it is recommended that a SSS #23210 pressure regulator (DEMA #66.43) is used.

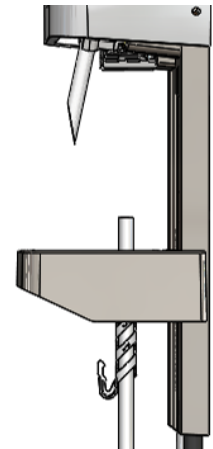
## BASE MODEL DESCRIPTION, SIZE AND WEIGHT



SSS# 23200  
1061GAPRF  
(REMOTE FILL BUCKET ACTIVATION)

## DISPENSER MOUNTING AND INSTALLATION

1. Position the dispenser on the wall and mark the 6 screw locations.
  - a. Use mounting template supplied with this instruction sheet to double check holes and to level dispenser.
2. Install the supplied anchors in the wall at the marked locations.
3. Mount the dispenser to the wall with the supplied screws.
4. Connect water supply hose to approved water outlet connection.
5. Install chemical container in the dispenser by pushing the bottle until it will go no further.
6. Slowly turn water supply on, pressurizing the unit with water and making it ready for use.
7. Test all chemicals according to proper use at selector locations following the method described below in **Dispenser Operation** section.



## DISPENSER OPERATION

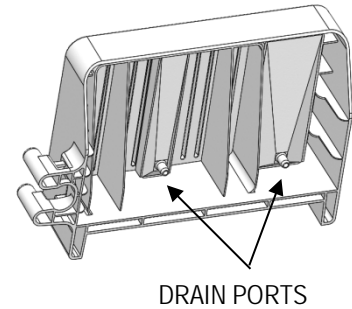
To begin the operation of the dispenser, a chemical bottle must be connected to the QuickDock.

1. Push the chemical bottle, mating it to the QuickDock until it will go no further. The QuickDock will hold the bottle in place when fully engaged.
2. **Bottle fill activation:** To dispense with the bottle fill feature, push the spray bottle up until the lever activates the valve. Once you are finished, lower the bottle until the lever falls and deactivates the valve.
3. **Bucket fill activation:**
  - a. **Remote fill:** Squeeze the trigger and release it when finished. For continuous flow, keep the trigger pressed and slide the button over. When finished, release trigger to stop flow. Allow chemical to drain and return hose to hanger on the side.
4. To change product, pull the bottle away from the QuickDock once chemical has drained back into the bottle. Insert new chemical bottle into dock and choose product on the selector dial. Repeat steps 2-3 as needed.
5. ALWAYS DISCONNECT DISPENSER FROM WATER SOURCE WHEN DISPENSER IS NOT IN USE.

## DRIP TRAY DRAINAGE OPTION

The bottle shelf is integrated with two drip trays, both with plugged drain ports. If desired, these ports can be drilled out to route run off chemical into a sink basin.

1. If you want to install a drain line on the drip tray shelf, use a 3/16" (5mm) drill bit max.
  - a. Using the barb on the underside of drip tray shelf as a guide, drill through.
  - b. Once drilled, attach drain line(s) to the drip tray shelf barb(s).

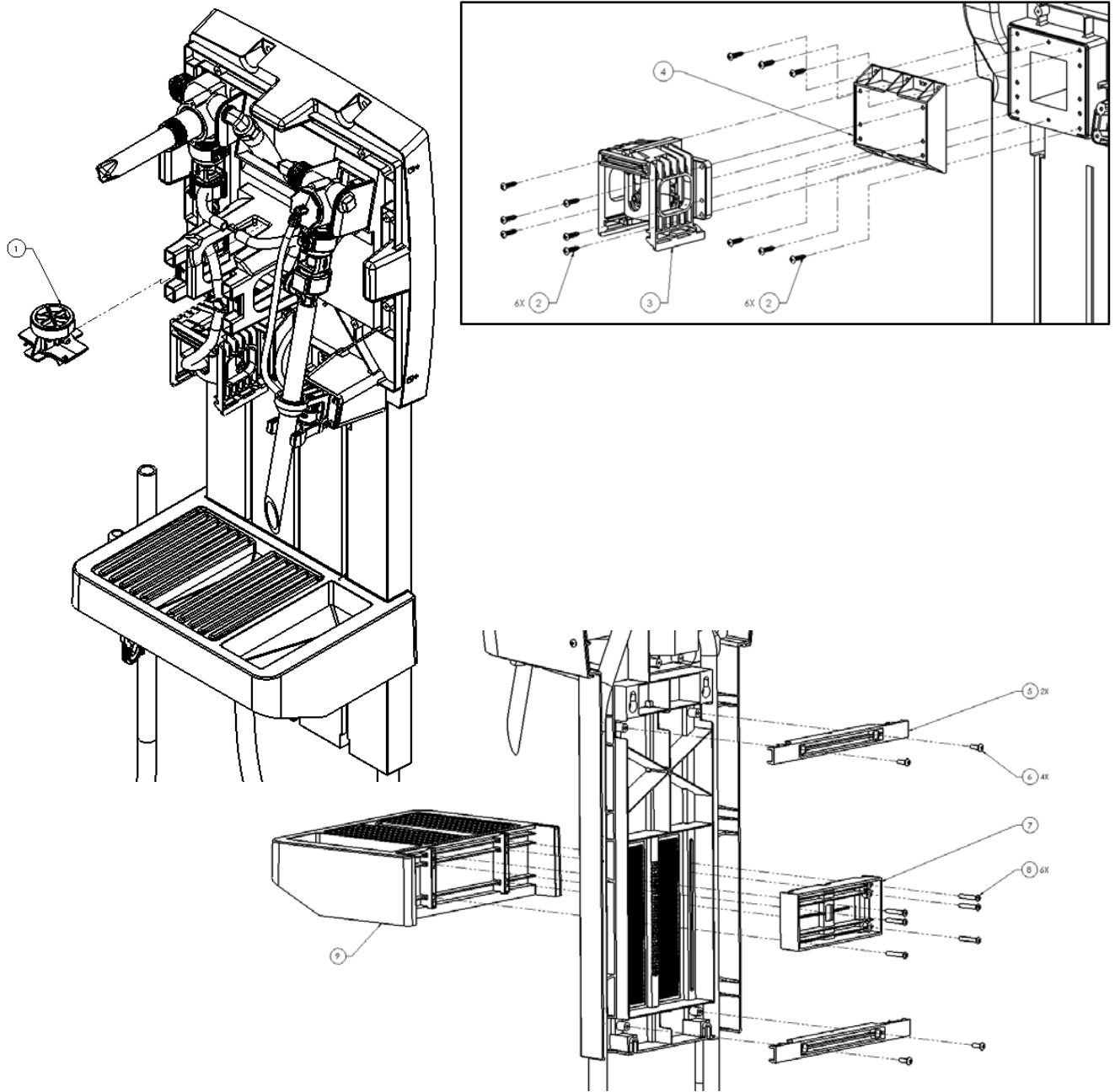


## TROUBLESHOOTING – ALWAYS SHUT OFF WATER SUPPLY BEFORE TROUBLESHOOTING

| Symptom  | Probable Cause   | Remedy  |
|--|--|---|
| <b>Proportioner fails to draw chemical properly.</b> | <ol style="list-style-type: none"> <li>1. Insufficient water supply pressure.</li> <li>2. Excessive water supply pressure.</li> <li>3. Metering tip in bottle is clogged.</li> </ol>   | <ol style="list-style-type: none"> <li>1. 30 PSI is the minimum allowable pressure. Consult with building maintenance for options.</li> <li>2. 90PSI is the maximum allowable pressure. 70PSI is the recommended maximum pressure.</li> <li>3. Replace bottle with new one and dispense product.</li> </ol>   |
| <b>Water valve is not shutting off completely.</b>   | <ol style="list-style-type: none"> <li>1. Bottle fill valve will not shut off, actuator arm is stuck in fill position.</li> <li>2. Bucket fill valve will not shut off, water valve button is locked on. NON RF ONLY</li> <li>3. Diaphragm in water valve cannot seat properly, debris in valve.</li> <li>4. Lever return spring may be missing on Remote fill gun. RF ONLY</li> </ol> | <ol style="list-style-type: none"> <li>1. Cycle the bottle valve actuator to ensure actuator arm is fully resetting after each use, replace components as needed. DO NOT rest bottles on actuator when not in use.</li> <li>2. Cycle the bucket valve button to make sure it's not stuck in lock-on position. 1/4 turn counter clockwise to move to lock-off position.</li> <li>3. Disassemble water valve diaphragm cover and remove internal components, clearing out debris. Reassemble components in order removed.</li> <li>4. RF ONLY - Remove cover and visually check for sliding lever return spring. Replace if missing.</li> </ol> |
| <b>Water valve is leaking.</b>                       | <ol style="list-style-type: none"> <li>1. Clamped fittings are loose.</li> </ol>   | <ol style="list-style-type: none"> <li>1. Inspect clamps for leakage, replace as needed.</li> </ol>   |

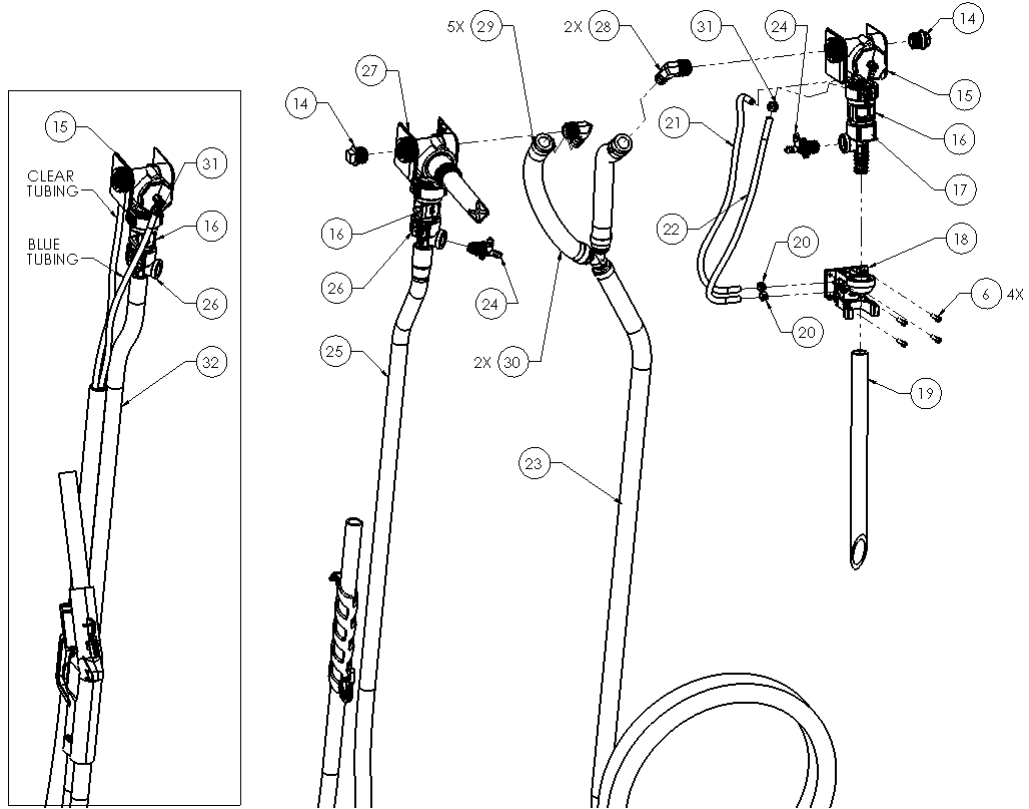
|  |   |  |
|--|---|--|
| <p><b>Threaded connections are leaking water.</b></p>                | <p>1. Backflow prevention devices and/or proportioners are loose.</p> | <p>1. Tighten loose connection(s) with tools if necessary. Do not over tighten if using tools.</p> |
| <p><b>Chemical is not draining back into chemical container.</b></p> | <p>1. Vent assembly is sticking.</p>                                  | <p>1. Replace vent assembly.</p>   |

**PARTS LIST AND DIAGRAM – UNIT ASSEMBLY**



| No. | Part No. | Description                |
|-----|----------|----------------------------|
| 1   | 56-46    | Vent Assembly              |
| 2   | 44-116-1 | #6 x 5/8" Long Hi-Lo Screw |
| 3   | 56-25-8  | Docking Assembly (Key 8)   |
| 4   | 40-206-1 | Spacer                     |
| 5   | 40-199-1 | Hose Bracket               |
| 6   | 44-116-1 | #8 x 1/2" Long Hi-Lo Screw |
| 7   | 40-204-1 | Drip Tray Shelf Bracket    |
| 8   | 44-116-3 | #8 x 1" Long Hi-Lo Screw   |
| 9   | 40-203-1 | Drip Tray Shelf            |

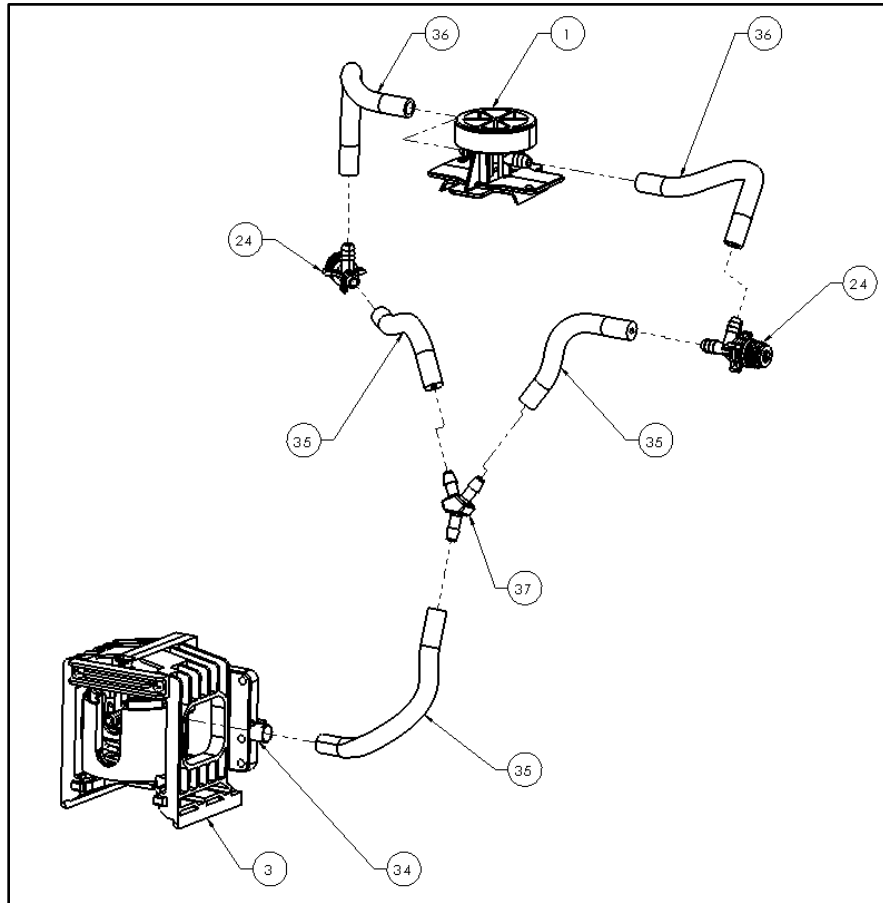
## PARTS LIST AND DIAGRAM – VALVE MANIFOLD ASSEMBLY



Remote Fill Assembly

| No. | Part No.  | Description                                   |
|-----|-----------|---|
| 14  | 66-153    | Pipe Plug/ O-Ring Assembly                    |
| 15  | 40-196-1  | Valve Assembly (Remote Fill)                  |
| 16  | 16-30     | Action Gap                                    |
| 17  | 40-811-3  | 1 GPM Proportioner Assembly                   |
| 18  | 98-58-1   | Lever Assembly                                |
| 19  | 86-1-3    | Bottle Tubing                                 |
| 20  | 52-2-4    | Hose Clamp                                    |
| 21  | 98-36-16  | Clear Tubing                                  |
| 22  | 98-36-15  | Blue Tubing                                   |
| 23  | 44-3-7FCO | Hose Assembly 1/2" ID x 7' Lg. (1.3cm x 2.1m) |
| 24  | 56-38     | Barb Check Valve Assembly                     |
| 25  | 163CHA-NB | 2.5-GPM Proportioner Assembly                 |
| 26  | 66-241    | Elbow, NPT x Barb                             |
| 28  | 14-20-1   | Removable Clamp                               |
| 29  | 40-208-1  | Hose 1/2" ID x 8" Lg. (1.3cm x 2.4m)          |
| 30  | 98-12-1   | Hose Clamp, Plastic                           |
| 31  | 98-50-8   | Remote Fill Gun/ Hose Assembly                |

**PARTS LIST AND DIAGRAM – CHEMICAL INDUCTION TUBE ROUTING**



| No. | Part No. | Description                  |
|-----|----------|------------------------------|
| 34  | 40-397-2 | Spring Hose Clamp            |
| 35  | 25-172-2 | Supertube 4" (15cm) Long     |
| 36  | 25-171-1 | Supertube 4" (10cm) Long     |
| 37  | 66-500-1 | Wye Connector 3/16" (4.76mm) |

## WARRANTY

---

### **Merchandise Returns**

No merchandise will be returned for credit without manufacture's written permission. Returned merchandise authorization number is required in advance of return.

### **Product Warranty**

This dispenser is warranted against defective material and workmanship under normal use and service for one year from the date of manufacture. This limited warranty does not apply to any products that have a normal life shorter than one year or failure and damage caused by chemicals, corrosion, physical abuse, or misapplication. Rubber and synthetic rubber parts such as "o"-rings, diaphragms, PVC tubing, and gaskets are considered wear parts and are not covered under warranty. This warranty is extended only to the original buyer of this dispenser. If products are altered or repaired without prior approval, this warranty is void.

Defective units or parts should be returned to the factory with transportation prepaid. If inspection shows them to be defective, they will be repaired or replaced without charge, F.O.B. factory. The manufacture assumes no liability for damages. Return merchandise authorization number must be granted in advance of returned units for repair or replacement (See "Merchandise Returns" above).